

UltraFast

The Ultimate in High Speed Doors

ALBANY
DOOR SYSTEMS
A company of Albany International Corp.

**Speed, Productivity
and Savings**



UltraFast. Fast...Safe...Reliable!

From the world's largest manufacturer of high speed industrial doors.

For high fork-truck traffic and low maintenance, the UltraFast reliably delivers opening speeds of 60" per second — even in moderate wind/negative pressure applications. You'll meet productivity goals without compromising safety or maintenance costs.

Higher Speeds – Lower Maintenance Costs

From installation to operation and maintenance, the UltraFast optimizes productivity and minimizes maintenance costs with features including:

- Opening speeds up to 60" per second plus an option that boosts speed up to 100" per second.
- BacFlap™ Auto-reset System – break-away bottom beam prevents door panel tears and automatically resets itself after impact
- Patent-pending modular design – makes maintenance and field repair faster and easier
- UltraSmart™ Contoller – early detection and faster repair; tells operators what's wrong and how to fix it.
- Wireless Safety System – eliminates coil cords plus the high maintenance costs and lengthy downtime associated with them
- Full-width vision panel – keeps workers safer in high traffic

No other high-speed door keeps workers safer

Optional safety features make UltraFast... ultra safe including:

- BacLight™ Safety Light Curtains (Optional) – exclusive 6-foot high field of infrared beams sense interruption and automatically reverse door to the open position

UltraFast Applications

Manufacturing Facilities

Distribution Facilities

Warehousing & Storage

Government Facilities

Food & Beverage Services

Retail Automotive

Utilities

Limitless Options

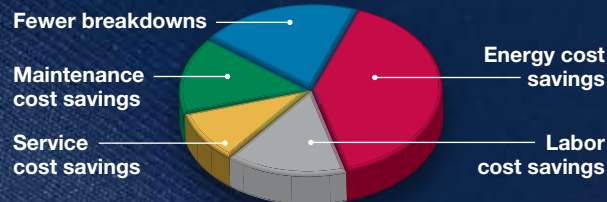
- BacOut™ Safety System (Optional) – easily accessible brake release automatically raises the door in an emergency
- BacTrack™ Soft Bottom Bar – protects workers from even the slightest contact, which automatically reverses the door to the open position.

Lower total cost of ownership

The UltraFast adds considerable value to your top and bottom line. You'll increase productivity, decrease maintenance, reduce lost-time incidents and improve workflow.

For a free demo, visit www.albanydoors.com and click the "Interactive Demo" button. See for yourself how the UltraFast has the speed, reliability and safety that withstand the rigors of a high-traffic area like no conventional or high-speed door can.

AVERAGE ANNUAL COST SAVINGS OF \$6,000



UltraFast Technical Information

Opening and Closing Speeds

Opening up to	60" per second (Optional 100" per second)
Closing up to	24" per second

Door Dimension

Max. Height	20 ft (6,096mm)
Max. Width	20 ft (6,096mm)
Min. Height	7 ft. (2,133mm)
Min. Width	3 ft. (914mm)

Safety Features

Photo Eye	Standard
SureGuard Light Curtain	Optional - 40 infrared thru-beam optical sensors
Wireless Safety System	No coil cords
BacTrack Bottom Beam	Soft bottom bar has fail-safe electric safety edge
BacOut Safety System	Brake release automatically raises door during power outage

Door Panel

2-ply	Woven monofilament polyester PVC impregnated panel material. Optional - 3 ply
Vinyl	Optional - 40 oz replaceable panel material
Full Width Vision Panel	Full door width x 30" high PVC vision panel
Windows	Optional - 17" x 17" PVC window
Full Width Screen Panel	Optional

Door Components

Side Frames	Self supporting 5" x 6" aluminum side frames; Optional - 7" x 4" low profile
BacFlap Auto-Reset System	Door resets after impact
Sealing	Double weather seals on header and side frames
Covers	Optional – top roll and motor covers

Control and Drive System

UltraSmart Controller	Variable frequency drive with soft start / soft stop and absolute encoder. 24V AC, UL listed
Input Voltage	208-240 V, 440-480 V, 575 - 600 V
Motor	Up to 3-Hp, 3 phase, 60 Hz, 20 amps
Limits Adjustment	At controller
Protection	NEMA 4

Wind Resistance

Wind rib reinforcement

We offer various options and actuation devices for all Albany High Speed Doors.



BacFlap™ Auto-Reset System

Bottom bar breaks away and automatically repairs itself after accidental impact.



Wireless Safety System

Eliminates coil cords, high maintenance costs and lengthy downtime.



UltraSmart™ Controller

Helps operators detect problems early and fix them faster for improved reliability and lower maintenance costs.



BacSeal™ Weather Seal

Provides double seal on top and sides for double protection against wind and energy loss.



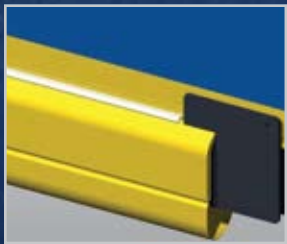
BacOut™ Safety System

In the event of a power outage, convenient break release raises the door.



BacLight™ Safety Light Curtains (Optional)

Eliminate injury and damage with 6-foot high field of infrared beams that sense interruption and automatically reverse door to open.



BacTrack™ Soft Bottom Bar

Significantly reduces injuries common with aluminum extrusions.



= Savings
 = Lower Maintenance
 = Increase Productivity
 = Enhance Safety
 = Increase Security
 = Fast



Warehousing



Manufacturing



Government



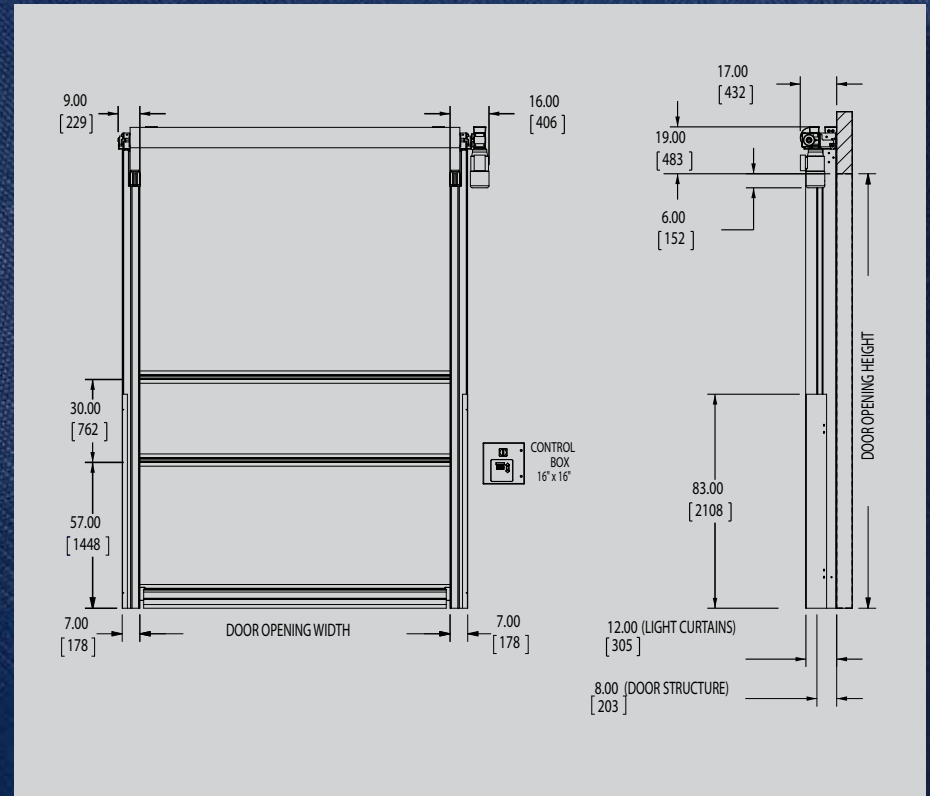
Distribution



Distribution



Manufacturing



Albany Door Systems

Georgia Facility
975A Old Norcross Road
Lawrenceville, GA 30046

Toll Free: (800) ALBANY1 (252-2691)
Phone: (770) 338-5000
Fax: (770) 338-5024

Wisconsin Facility
1080 Maritime Drive
Port Washington, WI 53074

sales@albanydoors.com
www.albanydoors.com

Follow us on [facebook](#) and [YouTube](#)

©2010, Albany International Corp. • www.albint.com • All rights reserved.
Albany Door Systems - A Company of Albany International Corp.
Asia | Australia | Austria | Belgium | Canada | China | Denmark | France | Germany | Latin America |
Netherlands | Norway | Poland | Sweden | Switzerland